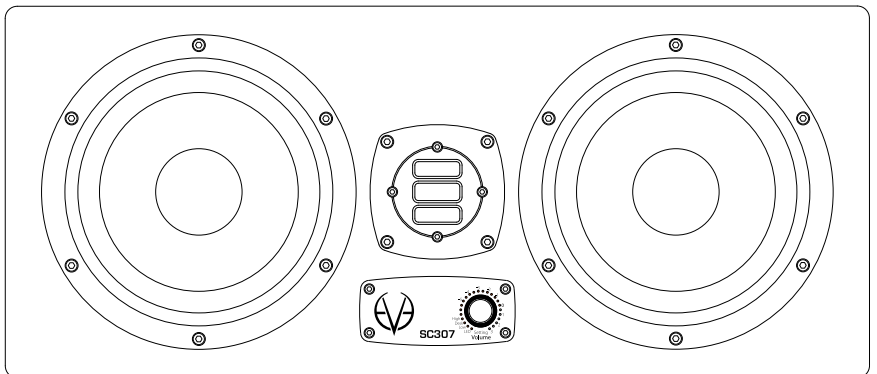
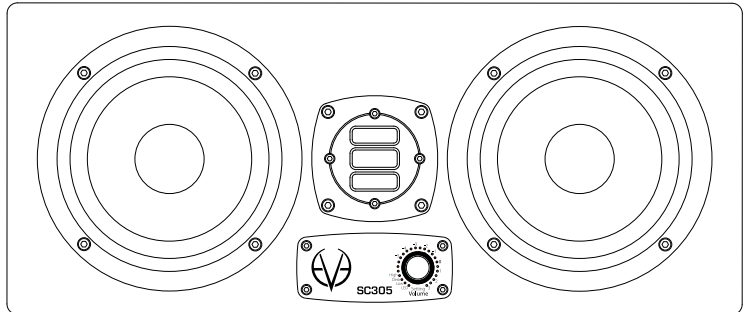




eve audio

**SC305**  
**SC307**



## SAFETY INSTRUCTIONS



To avoid the risk of electrical shock, do not attempt to open the unit. There are no user-serviceable parts inside. Do not attempt to service the equipment yourself. In case of problems, please contact your local dealer or distributor.



This unit should be connected to a grounded power outlet. If you use extension cords and power distributors they should be grounded as well.



Verify that the specified operating voltage on the rear side matches the local mains voltage. If these values do not match you will have to adjust the loudspeaker setting appropriately and change the fuse type.



Use only the fuse types specified on the rear side of the unit. Never bypass the fuse.



Make sure that no liquids wet the inside of the cabinet. Never spray, pour or spill liquids directly onto the unit.



Do not use a wet cloth nor flammable or acid chemicals for cleaning.



Do not touch the diaphragms of the loudspeaker and do not obstruct the bass reflex ports.



Make sure there is enough air flow behind the loudspeaker to maintain the electronic components cool.



Do not expose this product to extreme temperatures.



The diaphragms build up a magnetic field around the loudspeaker.



High sound pressure levels can damage your hearing permanently! Avoid standing close to loudspeakers producing high sound pressure levels.

## TABLE OF CONTENTS

|           |   |           |
|-----------|---|-----------|
| <b>1.</b> | <b>INTRODUCTION .....</b>               | <b>4</b>  |
| <b>2.</b> | <b>QUICK START .....</b>                | <b>5</b>  |
| 2.1.      | First Steps .....                       | 5         |
| 2.2.      | Speaker Connection .....                | 5         |
| 2.3.      | Powering On .....                       | 5         |
| <b>3.</b> | <b>OPERATION .....</b>                  | <b>6</b>  |
| 3.1.      | First Steps .....                       | 6         |
| 3.2.      | The Grid .....                          | 6         |
| 3.3.      | Operating Modes .....                   | 7         |
| 3.4.      | Powering on/off: Standby Mode .....     | 7         |
| 3.5.      | Volume Mode .....                       | 8         |
| 3.6.      | Settings Menu .....                     | 9         |
| 3.7.      | Filters .....                           | 9         |
| 3.8.      | Low Filter .....                        | 9         |
| 3.9.      | High Filter .....                       | 10        |
| 3.10.     | Low and High Filter Combinations .....  | 11        |
| 3.11.     | Desk Filter .....                       | 11        |
| 3.12.     | LED Mode .....                          | 12        |
| 3.13.     | Saving Your Settings .....              | 12        |
| 3.14.     | Power Switch .....                      | 12        |
| 3.15.     | DIP Switches .....                      | 13        |
| 3.16.     | Mains Voltage Selector .....            | 13        |
| 3.17.     | Power Connector (IEC) .....             | 14        |
| <b>4.</b> | <b>POSITIONING .....</b>                | <b>14</b> |
| 4.1.      | Speaker Positioning + Rubber Feet ..... | 14        |
| 4.2.      | Height and Distance .....               | 15        |
| 4.3.      | Stereo Setup .....                      | 15        |
| 4.4.      | Stereo Setup + Subwoofer (2.1) .....    | 16        |
| 4.5.      | Multichannel Setup (5.1) .....          | 16        |
| 4.6.      | Mixer/Workplace Reflections .....       | 17        |
| 4.7.      | Room Acoustics .....                    | 18        |
| <b>5.</b> | <b>TECHNICAL SPECIFICATIONS .....</b>   | <b>19</b> |
| <b>6.</b> | <b>DECLARATION OF CONFORMITY .....</b>  | <b>20</b> |
| <b>7.</b> | <b>WARRANTY .....</b>                   | <b>21</b> |

## 1. INTRODUCTION

Thank you for your time and interest in the EVE Audio product range.

EVE Audio is a loudspeaker manufacturer based in Berlin, Germany, that specializes in the development and design of unique studio monitors.

The use of first-class components is our highest priority because we firmly believe this is the only way to manufacture first-class products.

You have chosen a loudspeaker from our Silvercone SC series. Both models — SC305 and SC307 — were conceived as three-way systems. Through additional subdivision of the frequency range, they allow multiple applications for use in both stereo and surround setups. In the latter case both models are ideal as center speaker.

These models combine a pair of 5" or 6.5" SilverCone chassis with the Air Motion Transformer developed by EVE Audio for the RS series. The loudspeaker systems are completed by high-performance amplifiers and high-resolution DSP technology. The SC305 is powered by three independent 50W amplifiers, while the SC307 includes two 100W amps plus a 50W amp.

We wish you enjoy your new EVE Audio monitor. If you have any questions regarding our products, do not hesitate to contact your nearest dealer or get directly in touch with us... We will be more than happy to help you out!

All the best from Berlin.

The EVE Audio Team

## 2. QUICK START

If you already have experience with studio monitors, the Quick Start guide ought to be more than enough to get you started.

For unexperienced users we recommend reading the whole user's manual in order to prevent any misuse.

### 2.1. First Steps

Check the package components (loudspeaker, user's manual, power cord, grid, rubber feet).

Check the voltage setting (see "Mains Voltage Selector").

Check the setting of the DIP Switches (variable).

### 2.2. Speaker Connection

Connect one of the monitor inputs on the rear side (RCA or XLR) to the line output of a playback source, for instance an audio interface. The output level should be as low as possible.

### 2.3. Powering On

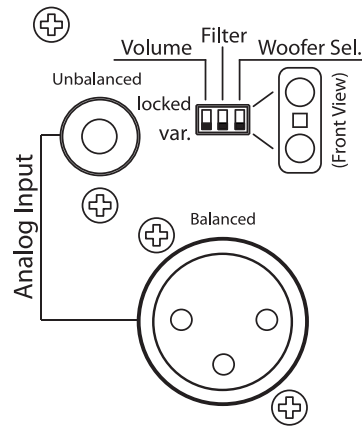
Engage the Power switch on the rear side of the loudspeaker to turn it on or off.

The LEDs around the Volume control on the front panel will light up clockwise. If the LED on the right end is dimly lit, this indicates that the loudspeaker is in Standby Mode. Press the Volume control to turn the loudspeaker on. If you turn the Volume control counter clockwise until the LED on the left end lights up dimly the loudspeaker will be muted.

Increase the output level on the source device until the LED ring starts to blink, then reduce the output level a bit. The maximum operating level for the input (i.e. the analog to digital converter) is now set optimally. To set the desired listening volume use the Volume control on the loudspeaker. The LED ring indicates the volume setting. If the LED ring starts to blink, reduce the output level on the signal source.

3. OPERATION

3.1. First Steps



Rückseitige Anschlüsse & DIP-Schalter

Check the package components (loudspeaker, user's manual, power cord, grid, rubber feet).

Check the voltage setting (see "Mains Voltage Selector").

Check the setting of the DIP Switches (variable).

Connections: there are two input connectors on the rear side. These allow the connection of balanced sources with XLR connectors or unbalanced sources with RCA connectors.

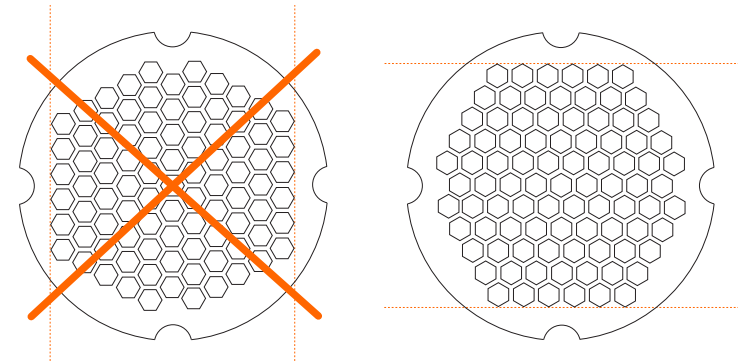
- Pin assignment XLR: 1 = Shield, 2 = hot (+), 3 = cold(-).
  - Pin assignment RCA: Center conductor = Signal, Ring = Shield.
- Both analog inputs can be used simultaneously, whereby the signals are summed.

The maximum level of the source signal should not exceed 8 dBu. If the input is overloaded the LED ring will start blinking.

3.2. The Grid

In order to protect the tweeter, your EVE Audio monitors are supplied with a metal grid, which has no impact on the sound. The grid is attached to the tweeter by means of magnetic attraction.

Be careful not to damage the folded tweeter diaphragm when placing the grid:

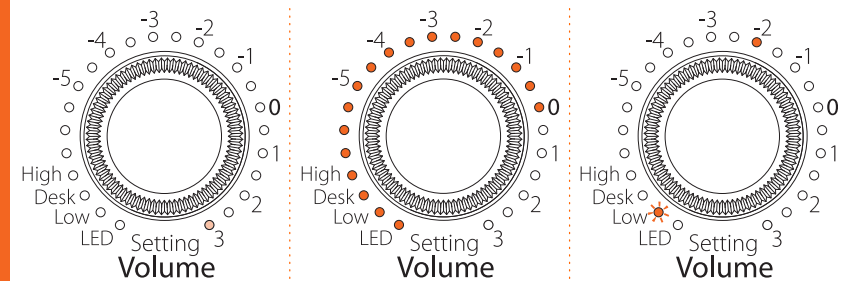


Wrong grid position <> Correct grid position

Hold the grid with your fingers parallel to the front side of the monitor. The perforated hexagon must exhibit two horizontal sides. Make sure that the grid remains parallel to the front side.

Draw the grid close to the tweeter. The tweeter's magnetic field will attract and fix the grid, which can always be adjusted later if needed.

3.3. Operating Modes



Standby Mode | Volume Mode (-10 dB) | Setting Menu (Low filter @ -2 dB)

3.4. Powering on/off: Standby Mode

Press and hold the control three seconds in order to put the monitor in Standby Mode. The volume will decrease gradually while the LED ring lights up once around the Volume control. Afterwards, the LED on the right end will light dimly and the power consumption is reduced to 1 watt.

! To exit the Standby Mode press briefly the Volume control once again. The level will increase gradually.

3.5. Volume Mode

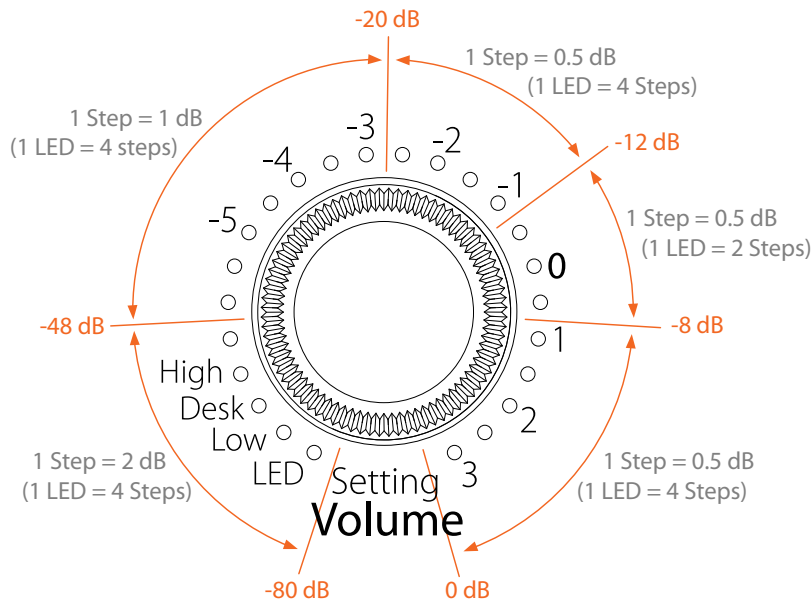
**Level adjustment**

The maximum input level for balanced (XLR) and unbalanced signals (RCA) is 8 dBu. Higher levels produce distortion due to the overloading of the analog to digital converter.

Given that many professional studio devices can produce in excess of 8 dBu, the LED ring will start blinking whenever the AD converter is overloading. If that is the case, the output level of the source should be reduced.

**Volume adjustment**

Turn the Volume control to adjust the volume. Depending on the LED mode selected (see LED Mode), the volume will be displayed as a dim/bright circle or as a dim/bright point.



The control's response curve is not linear. The increments become finer as the volume increases:

|                             |        |
|-----------------------------|--------|
| -80 dB (minimum) to -48 dB: | 2 dB   |
| -48 dB to -20 dB:           | 1 dB   |
| -20 dB to 0 dB (maximum):   | 0.5 dB |

**Mute**

To put the monitor in Mute Mode, turn the Volume control counter clockwise until you reach the minimum level. When the LED on the left end lights up dimly the Mute Mode is activated.

! To exit the Mute Mode simply turn the control clockwise.

3.6. Settings Menu

Press the control once to enter the Settings menu. Here you can set three different filters (Low, Desk, High) as well as the LED ring's behavior. The LED of the currently active function blinks.

Turn the control to choose the filter or LED mode desired. The blinking LED indicates the function selected while the steady-on LED indicates the value assigned to that function.

Press the control to confirm your selection. The blinking will stop once the selection is confirmed.

Turn the control to adjust the filter or the LED behavior.

When you are satisfied with the setting press the control again to go back to the Settings menu. You can then select and edit another function.

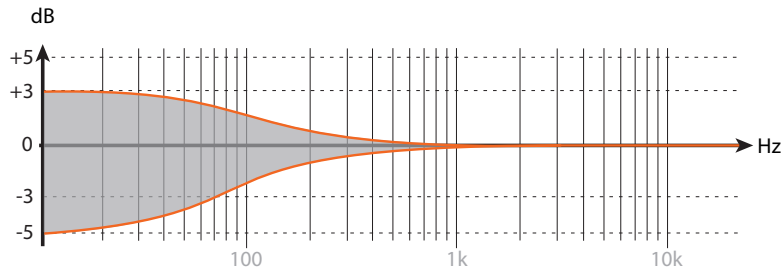
! To exit the Settings menu press and hold the control for three seconds or simply wait 10 seconds. The loudspeaker will then return automatically to the Volume Mode.

3.7. Filters

The filters of the EVE Audio monitors were specially developed to offer you the possibility of adjusting your monitoring system to the characteristics of your room. These filters help correct the alterations to the frequency response produced by the room acoustics and listening distance. Do note that the corrections of bad room acoustics with filters will only deliver average results. In any case, you should try to use the filters as little as possible.

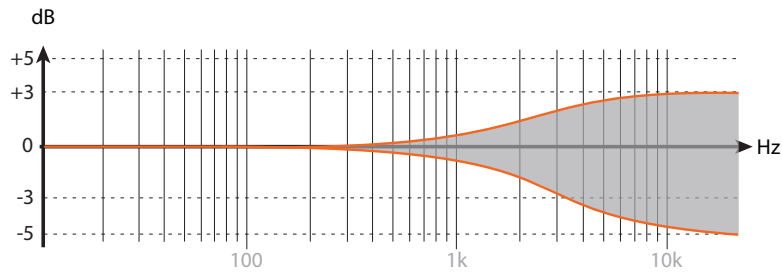
3.8. Low Filter

The Low-Shelf Filter allows you to boost or attenuate frequencies below 300 Hz in 0.5dB steps. Use this filter whenever the acoustics of your room cause problems in the low frequency range.



If the low frequencies are boosted by the room, you can attenuate them with the Low-Shelf Filter. The reasons for this boost could be the room modes or the loudspeakers being too close to the walls. In the same way, if the low frequencies are too weak, you can boost them to balance the frequency response.

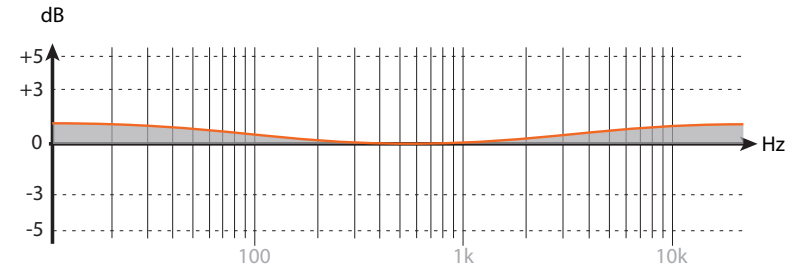
3.9. High Filter



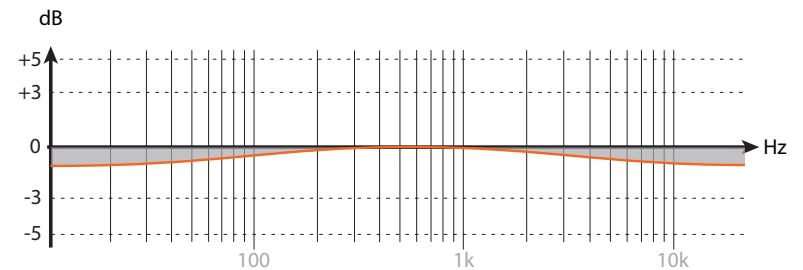
The High-Shelf Filter allows you to boost or attenuate frequencies above 3 kHz in 0.5dB steps. High frequencies are affected depending on the distance from the sound source to the listening position. The further you are from the loudspeakers, the weaker the high frequencies. In such cases the filter should be set to boost them. In desktop applications, distances can be as short as 1 m (3 ft), which results in the high frequencies being boosted. To compensate for this effect you should use the High-Shelf Filter to attenuate the high frequencies.

If you have a very dead room, it might be wise to boost the high frequencies in order to have a more balanced overall sound. When the listening position is too close to the loudspeakers or the room has reflective surfaces, it is reasonable to attenuate the high frequencies.

3.10. Low and High Filter Combinations

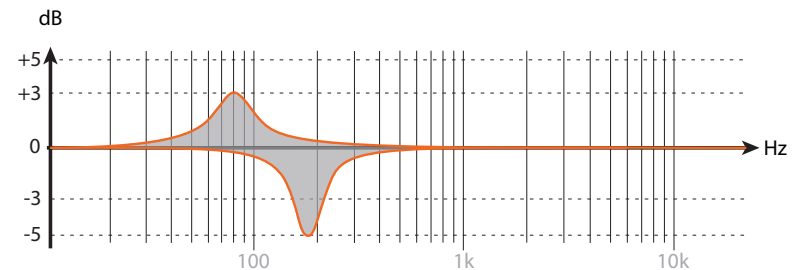


Mid-frequency attenuation through Low + High filter boost



Mid-frequency presence through Low + High filter cut

3.11. Desk Filter



The Desk Filter has two functions. When turned down it acts as a narrow-band EQ set to 180 Hz (SC305) or 160 Hz (SC307).

The reflections of mixers and similar surfaces usually result in the boosting of low mids. With the Desk Filter you can lessen this effect by turning down the filter gain.

When turned up, the Desk Filter also works as an EQ but this time set to 80

Hz. This allows you to give more punch to the lower frequencies.

The following applies to all three filters:

- Every step represents a 0.5 dB increment.
- Maximal boost is +3 dB and maximal attenuation is -5 dB.
- Refer to the chapter on POSITIONING to set the filters of your EVE Audio monitors effectively.

### 3.12. LED Mode

The LED Mode determines in which of the four available fashions the LED ring displays the volume level. The LEDs represent given levels, which are displayed and adjusted according to four steps. Intermediate steps are indicated by the brightness between two adjacent LEDs.

#### Bright Ring

All LEDs up to the selected volume level light up brightly. The louder the signal, the longer the brightly lit-up ring.

#### Bright Point

Only the LEDs corresponding to the selected volume level light up brightly. The louder the signal, the further up the brightly lit-up point moves.

#### Dim Ring

All LEDs up to the selected volume level light up dimly. The louder the signal, the longer the dimly lit-up ring. In this mode, the LEDs light up brightly momentarily while you adjust the volume level.

#### Dim Point

Only the LEDs corresponding to the selected volume level light up dimly. The louder the signal, the further up the dimly lit-up point moves.

Intermediate steps are indicated by the lighting of two adjacent LEDs. The level ranges from -60 dB to +10 dB, taking "0 dB" as reference point.

### 3.13. Saving Your Settings

All settings on the front and rear panels are automatically saved. The loudspeakers can be disconnected anytime without the settings being lost.

### 3.14. Power Switch

The power switch on the rear panel disconnects the loudspeaker completely from the power grid. When powered off all loudspeaker settings are saved and the power consumption is reduced to 0 watts.

## EVE Audio product manual

After powering on again, the loudspeaker will return to the state it was in before being turned off (Standby Mode, Mute Mode or a given volume level). Even if you use a multiple outlet power strip to power the monitor off, it will return to its previous state when powered on again.

In order to prevent switching noise with your monitoring system keep in mind the following rules:

When turning on your system, power all audio sources on first and your loudspeakers last.

When turning off your system, power off your loudspeakers first and then all audio sources.

### 3.15. DIP Switches

On the rear panel of your EVE Audio monitors you will find three DIP Switches. These allow you to secure your loudspeaker settings to prevent them from being changed inadvertently.

#### Volume

When set to "locked," this DIP Switch secures the current volume setting. The LED ring on the front panel indicates the volume setting, which cannot be modified. When set to "variable," the volume setting can be changed by simply turning the knob.

#### Filters

When set to "locked," this DIP Switch secures the current filter settings. The filter settings can be read on the LED ring but they cannot be modified. When set to "variable," the filters can be modified freely.

#### Woofers Sel.

This DIP Switch allows you to swap the position of the woofer and the low-mid driver. This means that the woofer can be placed either right or left of the tweeter. The print on the loudspeaker describes the position of the woofer for the corresponding DIP Switch position.

For a stereo system, we recommend the "Woofers Sel." switch on both loudspeakers to be set in a way that the low-mid driver is pointing to the inside. This allows the stereo image to be perfectly balanced.

### 3.16. Mains Voltage Selector

The Mains Voltage Selector allows you to adjust the operating voltage of your EVE Audio monitors to the local power grid. Set it to "230" if your local power grid is 220-240 volts or "115" if it is 110-120 volts.



If you change the mains voltage value you also have to replace the fuse of the IEC connector with an appropriate one. The corresponding fuse values are printed on the unit underneath the IEC connector.

### 3.17. Power Connector (IEC)

Use the power cord supplied to connect your EVE Audio monitors to the power grid. The IEC connector includes an integrated fuse. If your EVE Audio monitors stop working and the fuse seems to be the problem, proceed as follows:

- Turn the loudspeaker off.
- Disconnect the loudspeaker from the power grid.
- Detach the IEC connector from the loudspeaker.
- Remove the fuse.
- Change the fuse. The replacement fuse should comply with the values stated on the loudspeaker.

## 4. POSITIONING

### 4.1. Speaker Positioning + Rubber Feet

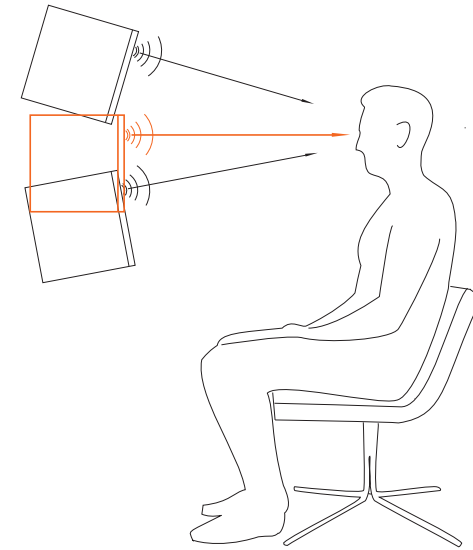
Ideally, there should be no objects or obstacles between the loudspeakers and the listening position. Further, a symmetrical positioning is important. This applies to the distance between speakers as well as to the walls, ceiling and floor. In order to have a symmetrical stereo image it is also important to have symmetrical reflections. We recommend to keep a distance of at least 0.5 m (19 inches) to the walls, in order to avoid low frequency boosting.

EVE Audio monitors can also be flush-mounted in a wall, in which case there should be enough air flow. This is important to keep the electronic components cool but also to allow for the best performance of the bass reflex port. We recommend to keep at least 2 cm to the sides and top.

The SC305 and SC307 monitors were especially designed to be placed horizontally. Fix the supplied rubber feet to the bottom side of the monitor and place it on an even and steady surface.

Rubber feet: your EVE Audio monitors are supplied with four self-adhesive rubber feet. Fix them to the bottom of your loudspeakers to place the monitors safely on an even surface. Furthermore, the rubber feet improve the acoustic decoupling of the loudspeakers from the surface.

### 4.2. Height and Distance



The tweeter of your EVE Audio monitors should be ideally placed at the same height as your ears. If this is not possible tilt the monitors so that the tweeter is directed to your ears.

The ideal distance between the monitors and the listening position is 1-2 m (3.4-6.5 ft) for the SC305 and 1.5-2.5 m (4.9-8.2 ft) for the SC307.

- ! These values are only meant as a reference and depend a lot on the characteristics of the room. In live rooms you will be forced to reduce the distance, while in dead rooms the distance to the loudspeakers can be larger.

### 4.3. Stereo Setup

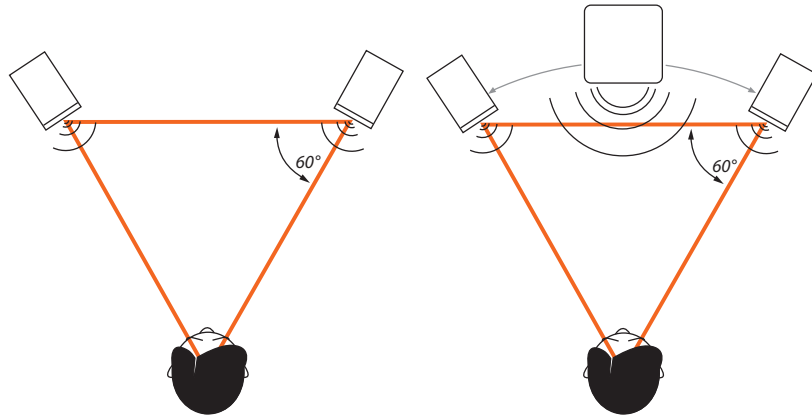
The so-called "stereo triangle" is the best way to place speakers in a stereo setup, i.e. the monitors and the listening position should form an equilateral triangle. Try the following:

Establish the ideal distance to the listening position (see "Height & Distance").

Place the monitors in such a way that the distance from each other and to the listening position is the same.

Turn both monitors so that their front panels are pointed towards the listening position (all angles of the stereo triangle should be 60°).





*Stereo-Setup (left) & Stereo-Setup + Subwoofer (right)*

#### 4.4. Stereo Setup + Subwoofer (2.1)

In such a setup, the subwoofer is fed by the stereo signal source. The subwoofer filters the low frequency components of the stereo channels and sums them to produce a mono signal which it then reproduces. The high frequencies are forwarded to the full-range satellite speakers.

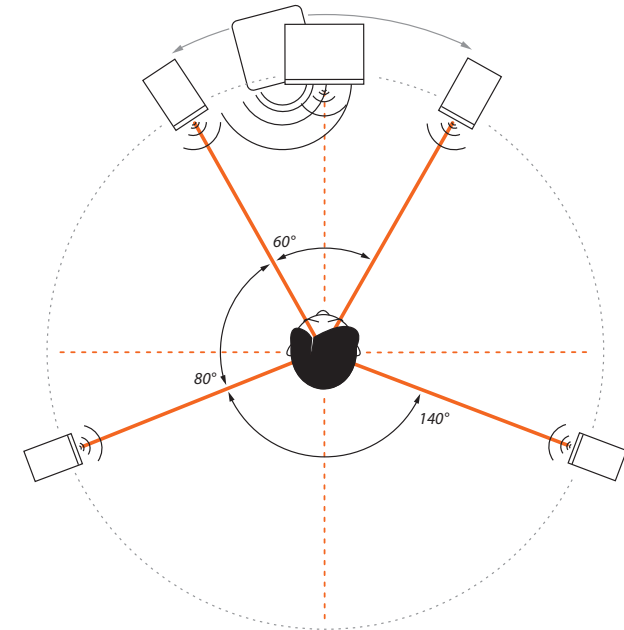
Ideally, such a system would comprise two EVE Audio SC305 or SC307 monitors plus an EVE Audio TS108 or TS110 subwoofer. These subwoofers allow you to set the crossover frequency for the satellite loudspeakers and the subwoofer.

The positioning of the two satellites should be done in the same manner as in a stereo setup (see "Stereo Setup").

The subwoofer should be placed on the ground between both satellites. Considering that low frequencies are omnidirectional, the subwoofer does not have to be centered exactly between the two satellites. The subwoofer can be moved back a bit so that it is at the same distance from the listening position as the satellites. This guarantees all transducers are synced in time.

#### 4.5. Multichannel Setup (5.1)

The most common 5.1 systems consist of three front channels (left, right and center), two surround channels (left/right) and a subwoofer for the low frequencies. The speakers from a circle around the listening position.



Ideally, a 5.1 system would comprise five EVE Audio SC305 or SC307 and a TS108 or TS110 subwoofer. Following combination is also possible: Front: SC205, Center: SC305, Rear: SC204 or Front: SC207, Center: SC307, Rear: SC205.

The positioning of the two front speakers and the subwoofer should be done in the same manner as in a stereo setup with subwoofer (see "Stereo Setup + Subwoofer").

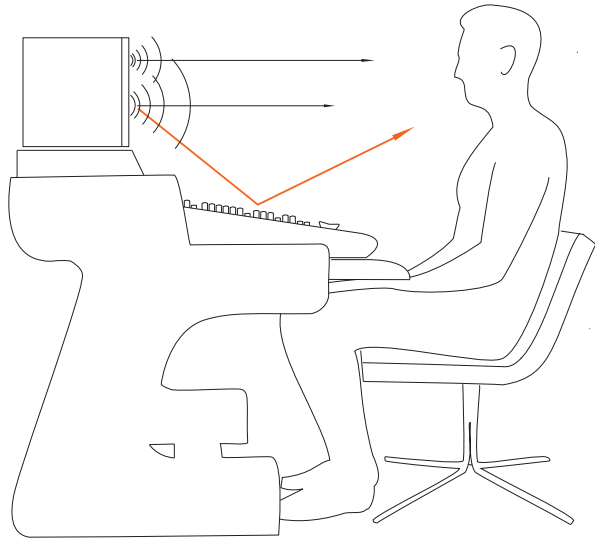
Place the center monitor directly in front of the listening position, i.e. right in the center between both front satellites.

The rear satellites should form an isosceles triangle with the listening position forming an angle of 140°.

Verify that all speakers are at the same distance from the listening position, so that they are synced in time.

#### 4.6. Mixer/Workplace Reflections

Regardless of whether the monitors are to be used in a recording studio with a mixing desk and meter bridge or in a desktop environment, hard surfaces can produce annoying reflections that alter the natural reproduction of the loudspeakers. Especially in the low-mid frequency range.



If this is the case with your setup, use the Desk Filter of your EVE Audio monitors to reduce the impact of the reflections from the desk or mixer.

#### 4.7. Room Acoustics

In order for the described measures to work effectively, we recommend that you put special attention to the room acoustics. The size, contents, wall parallelism, proportion, and reflective behavior of the room, as well as the corners, the building materials and their characteristics play a very important role in the acoustics of a room.

Room acoustics is a science in itself and it is unfortunately out of the scope of this manual. However, we have put together a short bibliography for you:

- „Recording Studio Design“ (Englisch), Philip Newell. ISBN: 0-240-51917-5
- „Home Recording Studio – Build it like the Pros“ (Englisch), Rod Gervais. ISBN: 1-59863-034-2
- „Studio Akustik“ (German), Andreas Friesecke. ISBN: 978-3-932275-81-4
- „Praktische Raumakustik“ (German), Thomas Hentschel. ISBN 978-3-8364-6800-8
- „Handbuch der Tonstudioteknik“ Band 1 (German), Michael Dickreiter. ISBN 3-598-11321-8
- „Handbuch der Audiotechnik“ (German), Stefan Weinzierl (Ed). ISBN 978-3-540-34300-4

## 5. TECHNICAL SPECIFICATIONS

| Product                           | SC305               | SC307               |
|-----------------------------------|---------------------|---------------------|
| Description                       | 3-Way Monitor       | 3-Way Monitor       |
| Dimensions (WxHxD) (mm)           | 425 x 180 x 250     | 500 x 215 x 310     |
| Dimensions (WxHxD) (")            | 16.73 x 7.09 x 9.84 | 19.69 x 8.46 x 12.2 |
| Free-field frequency range (-3dB) | 50Hz - 21kHz        | 40Hz - 21kHz        |
| Tweeter                           | AMT RS3             | AMT RS2             |
| Woofers                           | 130mm / 5"          | 165mm / 6.5"        |
| Mid-woofer                        | 130mm / 5"          | 165mm / 6.5"        |
| Crossover frequency               | 3,000Hz             | 2,800Hz             |
| Maximum SPL @ 1m                  | 108dB               | 114dB               |
| Number of amplifiers              | 3                   | 3                   |
| Total short-term output power     | 150W                | 250W                |
| Short-term out power (woofers)    | 2 x 50W             | 2 x 100W            |
| Short-term out power (tweeter)    | 50W                 | 50W                 |
| Protection limiter                | yes                 | yes                 |
| <b>Settings</b>                   |                     |                     |
| Volume                            | -inf. – +6dB        | -inf. – +6dB        |
| High-shelve filter (-5db – +3dB)  | > 3kHz              | > 3kHz              |
| Desk filter boost (0db – +3dB)    | 80Hz                | 80Hz                |
| Desk filter cut (-5db – 0dB)      | 180Hz               | 160Hz               |
| Low-shelve filter (-5db – +3dB)   | < 300Hz             | < 300Hz             |
| Level-lock dip switch             | yes                 | yes                 |
| Filter-lock dip switch            | yes                 | yes                 |
| Woofers-change dip switch (R/L)   | yes                 | yes                 |
| <b>Connectors</b>                 |                     |                     |
| XLR in (impedance)                | yes (10kΩ)          | yes (10kΩ)          |
| RCA in (impedance)                | yes (10kΩ)          | yes (10kΩ)          |
| <b>Power consumption</b>          |                     |                     |
| Standby                           | < 1W                | < 1W                |
| Full output                       | 110VA               | 120VA               |
| <b>Misc.</b>                      |                     |                     |
| Weight kg / lb.                   | 8.5 / 18.7          | 12.4 / 27.3         |

## 6. DECLARATION OF CONFORMITY

We,

**EVE Audio GmbH**

whose registered office is situated at

Ernst Augustin Str. 1a, 12489 Berlin, Deutschland

declare under our sole responsibility that the products:

**SC305** and **SC307**

comply with the following directives and standards:

**EC standards:**

EN 60065: 2002 + A1:2006 + A11:2008 + A2:2010 + A12:2011

EC Regulation 1275/2008: 2008-12-18

EN 62301: 2005

**EMC standards:**

EN 55013: 2001 + A1:2003 + A2:2006

EN 55020: 2007 + A11:2011

EN 61000-3-2: 2006 + A1:2009 + A2:2009

EN 61000-3-3: 2008

This declaration attests that the manufacturing process quality control and product documentation accord with the need to assure continued compliance.

Issued in Berlin.

Signed:



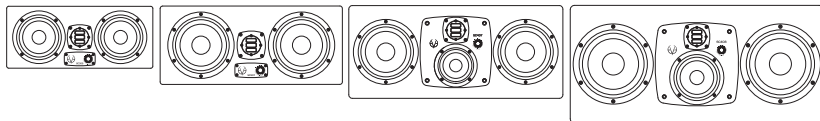
Roland Stenz

Director EVE Audio


## 7. WARRANTY

- ▷ The manufacturer warranty is valid for a period of two (2) years after the date of purchase.
- ▷ The warranty covers repair costs (labor and spare parts), product replacement if applicable, and return transport within the country where the product was bought.
- ▷ The warranty will be void if any of the following applies:
  - Damages have been caused by incorrect installation and/or connection,
  - Damages have been caused by misuse or negligence,
  - The unit has been tampered or modified in any way,
  - The unit has been repaired or modified by unqualified personnel,
  - Damages have been caused by factors beyond the reasonable control of EVE Audio (lightning, fire, flood, etc.).
- ▷ The client should always keep the original packaging of any EVE Audio product. Only products with original packaging are eligible for warranty service. If the product is not packaged in its original box, EVE Audio will not be liable for any damages occurred during transit.
- ▷ Should service be required during or after the warranty period, please contact your local EVE Audio dealer or distributor.





**EVE AUDIO GmbH**

 Ernst Augustin Str. 1a,  
12489 Berlin, Germany

 +49-30-6704 4180

 +49-30-6704 4188

 info@eve-audio.com

 www.eve-audio.com

 facebook.com/EveAudio

 twitter.com/EveAudio

